









BPOWER AGM-305

The BCL series batteries are made in the AGM technology, designed for heavy cyclic work. Thanks the use of special carbon additives BCL series batteries have greater load accepting and require less time charging. They are characterized by efficiency and reliability and have a very long cyclic life of 700 cycles at a discharge depth of up to 80%.

BASIC PARAMETERS		OPERATING TEMPERATURE RANGE	
Nominal Voltage	6V	Storage Temperature Range	-15°C ~ 40°C
Nominal Capacity	350Ah	Charge Temperature Range	0°C ~ 40°C
Technology	VRLA AGM	Discharge Temperature Range	- 20°C ~ 55°C
Container Material	ABS UL94 HB		
PHYSICAL PARAMETERS		CHARGING CURRENT	
Dimensions (L x W x H)	295 x 180 x 368 (mm)	Recommended	35.00A
Weight	48,20kg	Maximum	70.00A
Terminal	DT		
Cell layout	0		
RATED CAPACITY (25°C)		CHARGING VOLTAGE (25°C)	
350 Ah	20hr	Cyclic work	7,35V - 7,45V
332 Ah	10hr		
305 Ah	5hr		

- 
Cycle life
 Long cycle life (700 cycles at 80% DOD). Strong recovery ability of deep discharge.
- 
Tight construction
 Reliable sealing structure ensures no leakage during use.
- 
Carbon additives
 The addition of carbon ensures faster charging, protection against sulfation and less electrolyte stratification. Thanks to the addition of carbon sulfates dissolve faster.
- 
Separator
 High quality AGM separator: Extend cycle life and prevent micro short circuit
- 
High performance
 High energy, low internal resistance, low self-discharge, no noise, easy to operate.
- 
Corrosion resistance
 A special alloy improves the resistance of the plate against corrosion, increases service life and good deep discharge performance.

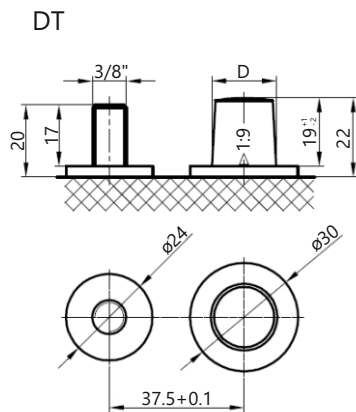
Headquarters in Warsaw
 Jana Kazimierza 61
 01-267 Warszawa

Branch in Gdansk
 Twarda 12
 80-871 Gdańsk

+48 22 877 54 96
 biuro@baterie.com.pl
 www.baterie.com.pl

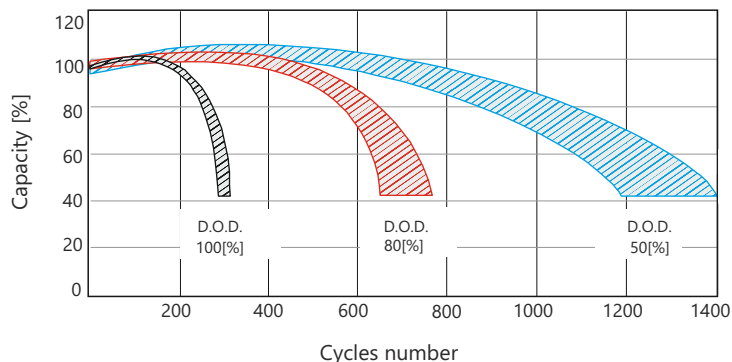
**BP BATERIE
 PRZEMYSŁOWE**

Terminals

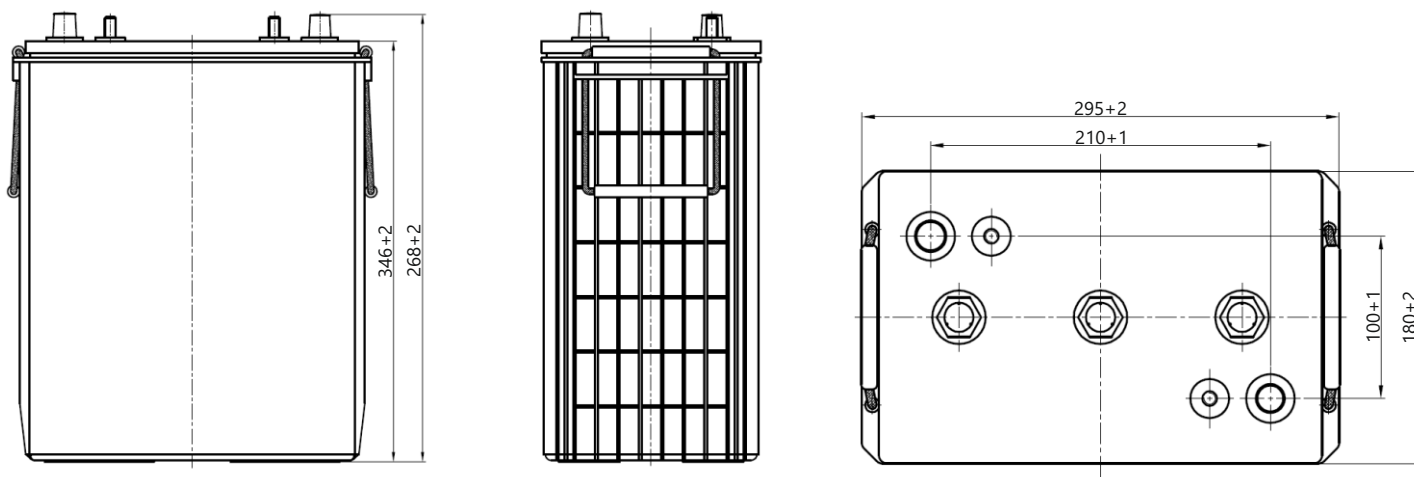


Terminal Torque Values in-lb(Nm):17.69-26.53(2.0-3.0)

Cycle life



Dimensions



Environment information

Exploited batteries are considered as hazardous waste. These wastes due to their origin, chemical composition (they contains heavy metals like lead and other toxic substations) and other features may be dangerous for environment and human or animal health life. According to the waste act, waste in the form of batteries and accumulators should be collected separately from other types of waste.

In order to obtain more detailed information, we encourage you to contact us, we provide any information on how to handle with waste batteries and accumulators..

Safety



Recycling



Headquarters in Warsaw
Jana Kazimierza 61
01-267 Warszawa

Branch in Gdansk
Twarda 12
80-871 Gdańsk

+48 22 877 54 96
biuro@baterie.com.pl
www.baterie.com.pl

BP BATERIE
PRZEMYSŁOWE